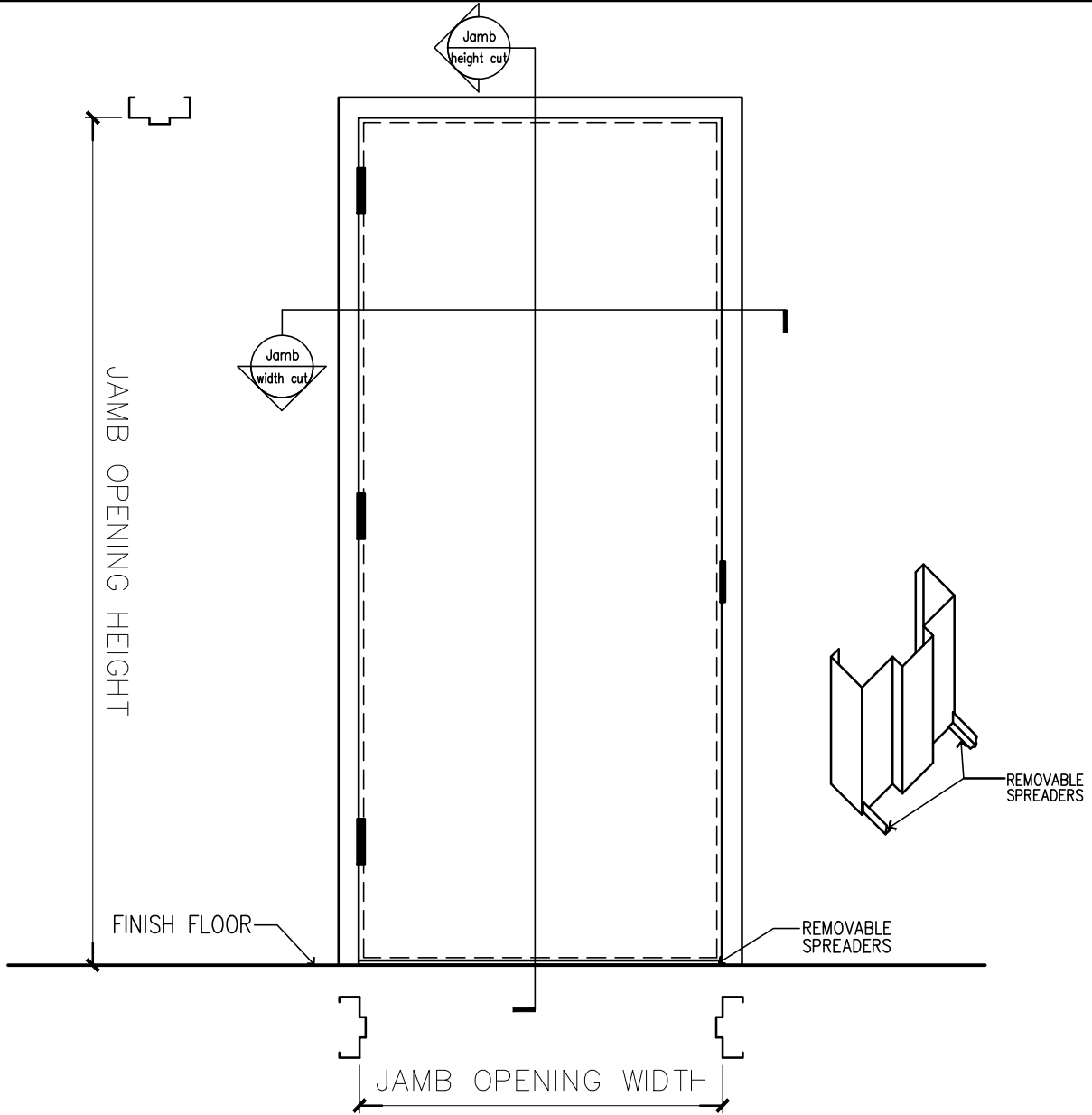


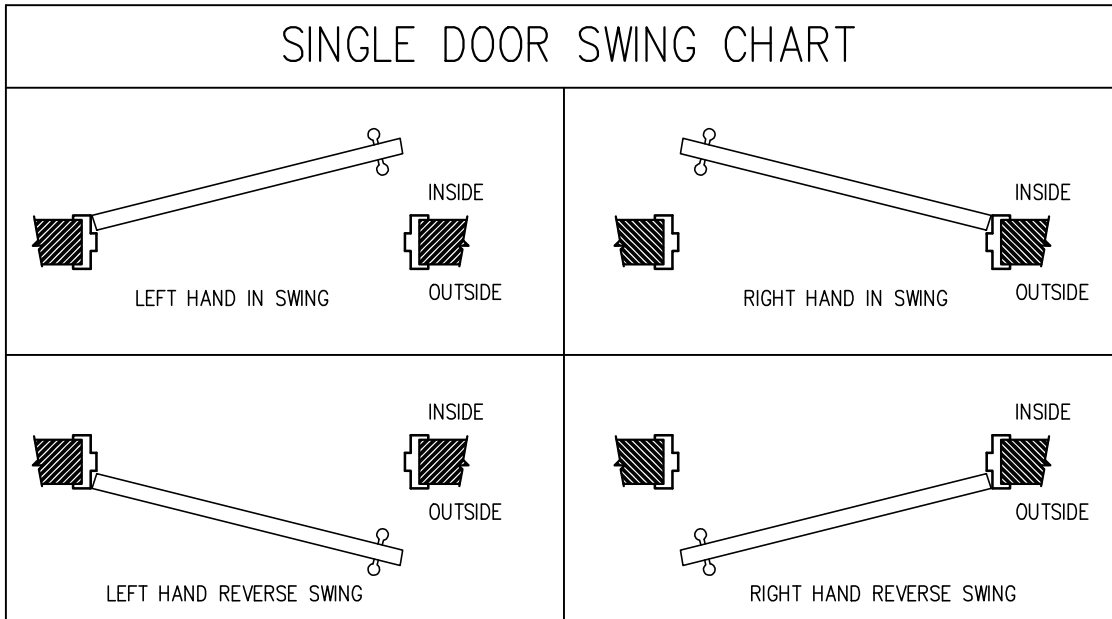
# ELEVATION DATA



1171 MYRTLE AVENUE, BROOKLYN, N.Y. 11206-6099  
Tel. (718) 455-8442 Fax (718) 455-8535  
E-mail: sales@ufiredoor.com www.ufiredoors.com  
H.I.C. Lic. # 0924234

# SWING CHARTS

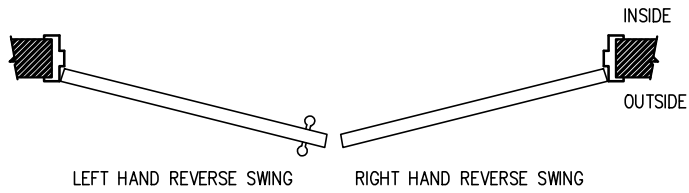
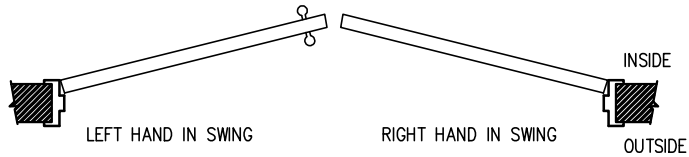
## SINGLE DOOR SWING CHART



1171 MYRTLE AVENUE BROOKLYN, N.Y. 11206-6099  
Tel. (718) 455-8442 Fax (718) 455-8535  
E-mail: [sales@ufiredoor.com](mailto:sales@ufiredoor.com) - [www.ufiredoors.com](http://www.ufiredoors.com)  
H.I.C. Lic. # 0924234

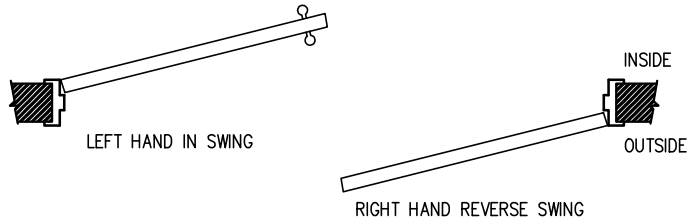
# SWING CHARTS

## DOUBLE DOOR SWING CHART

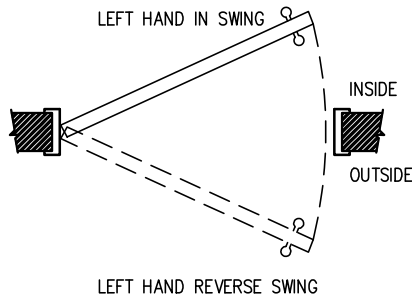


## SPECIAL SWING DOOR CHART

### DOUBLE EGREES SWING

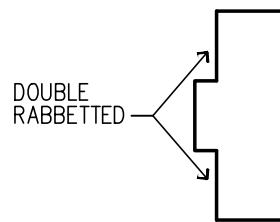
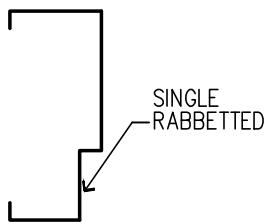
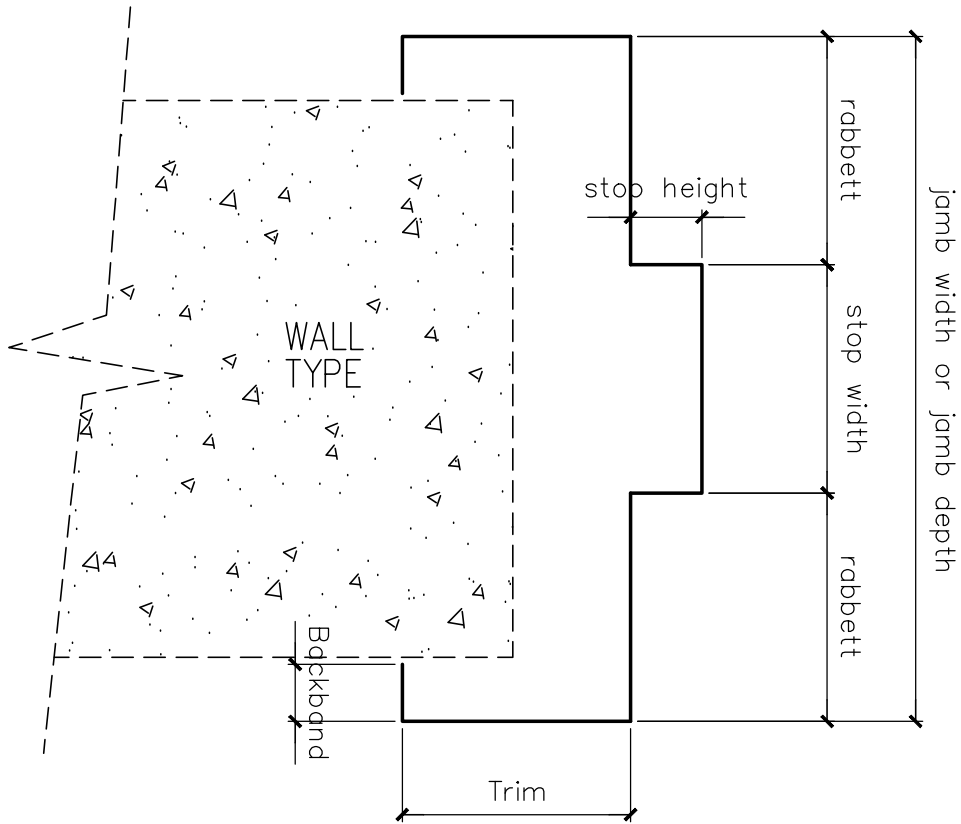


### DOUBLE ACTING SWING DOOR



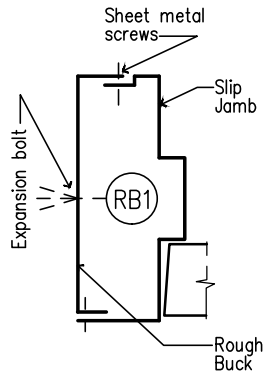
1171 MYRTLE AVENUE BROOKLYN, N.Y. 11206-6099  
Tel. (718) 455-8442 Fax (718) 455-8535  
E-mail: sales@ufiredoor.com - www.ufiredoors.com  
H.I.C. Lic. # 0924234

# FRAME PROFILE NOMENCLATURE



1171 MYRTLE AVENUE BROOKLYN, N.Y. 11206-6099  
Tel. (718) 455-8442 Fax (718) 455-8535  
E-mail: sales@ufiredoor.com - www.ufiredoors.com  
H.I.C. Lic. # 0924234

# STANDARD FRAME PROFILES



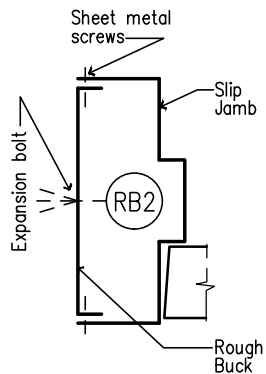
## Rough Buck and Slip Jamb

Rough bucks as well as slip jambs are furnished with jambs and head as welded unit.

Can be furnished for special frames (transom, mullion, sidelite), as well as regular single swing or pair swing openings

Locate door on wide trim side as shown.

Holes for expansion bolts punched in shop. Preparation for screws as well as furnishing all screws and bolts.

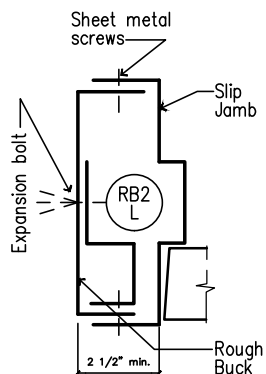


## Rough Buck and Cabinet Jamb

Rough bucks are furnished with jambs and head as welded unit. Cabinet jambs are furnished knocked down (KD)

Should be used only for regular single swing and pair swing frames.

Holes for expansion bolts punched in shop. Preparation for screws as well as furnishing all screws and bolts



## Rough Buck and Cabinet Jamb U.L. Approved

Rough bucks are furnished with jambs and head as welded unit. Cabinet jambs are furnished knocked down (KD)

Should be used only for regular single swing and pair swing frames.

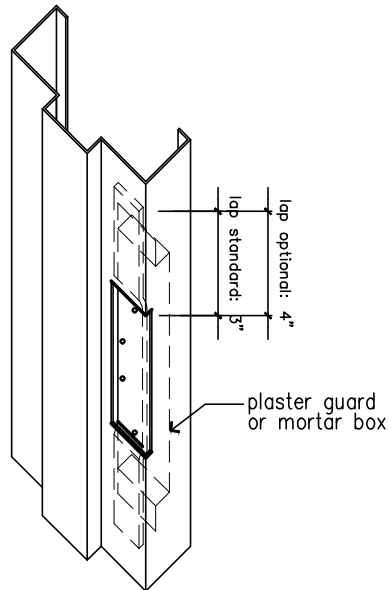
Holes for expansion bolts punched in shop. Preparation for screws as well as furnishing all screws and bolts



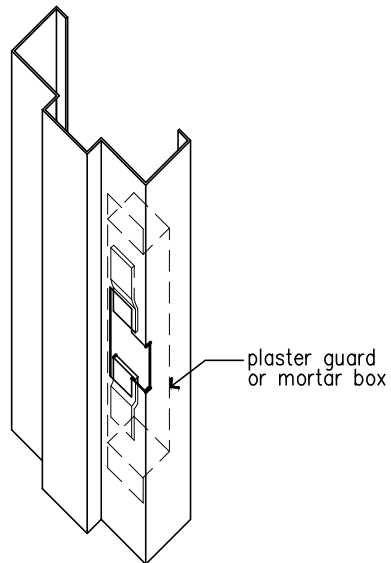
1171 MYRTLE AVENUE BROOKLYN, N.Y. 11206-6099  
Tel. (718) 455-8442 Fax (718) 455-8535  
E-mail: sales@ufiredoor.com - www.ufiredoors.com  
H.I.C. Lic. # 0924234

# HINGE & STRIKE REINFORCEMENT

STANDARD HINGE REINFORCEMENT  
( 3/16" thick )

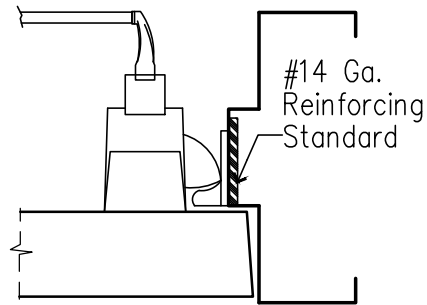
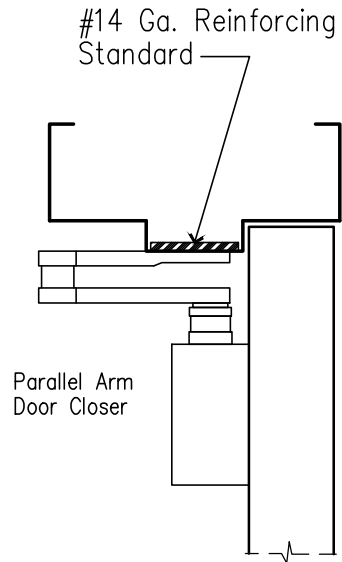
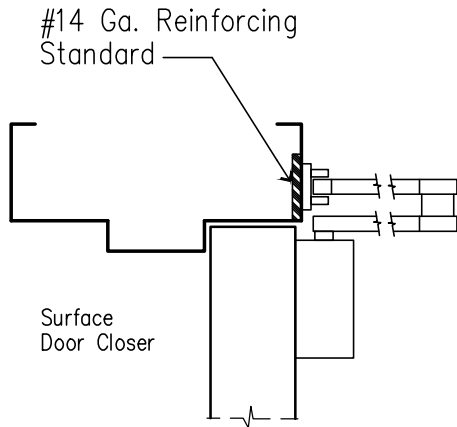


STANDARD STRIKE REINFORCEMENT



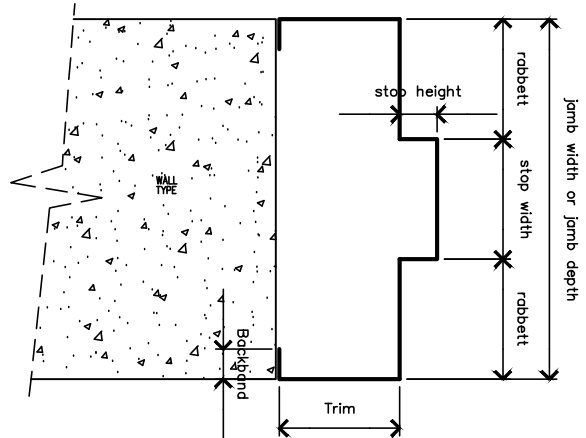
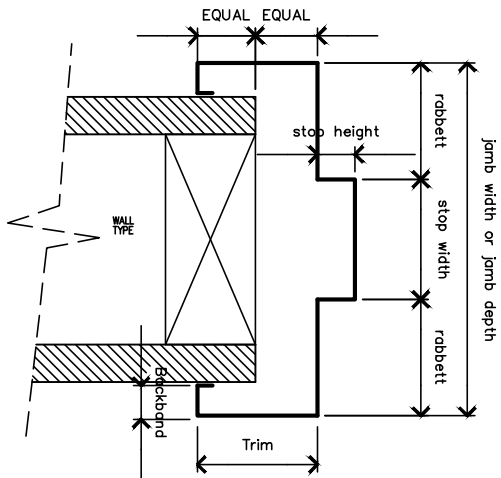
1171 MYRTLE AVENUE BROOKLYN, N.Y. 11206-6099  
Tel. (718) 455-8442 Fax (718) 455-8535  
E-mail: sales@ufiredoor.com - www.ufiredoors.com  
H.I.C. Lic. # 0924234

# SURFACE HARDWARE REINFORCING

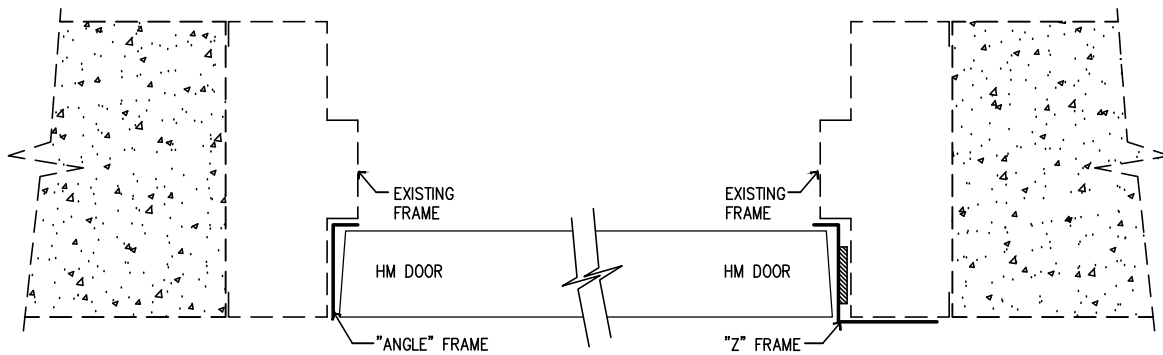


1171 MYRTLE AVENUE BROOKLYN, N.Y. 11206-6099  
Tel. (718) 455-8442 Fax (718) 455-8535  
E-mail: sales@ufiredoor.com - www.ufiredoors.com  
H.I.C. Lic. # 0924234

# FRAME TYPE APPLICATIONS



# ANGLE & "Z" FRAMES APPLICATIONS



1171 MYRTLE AVENUE BROOKLYN, N.Y. 11206-6099  
Tel. (718) 455-8442 Fax (718) 455-8535  
E-mail: sales@ufiredoor.com - www.ufiredoors.com  
H.I.C. Lic. # 0924234